


Durer Tall Mono Mixer

Technical Data

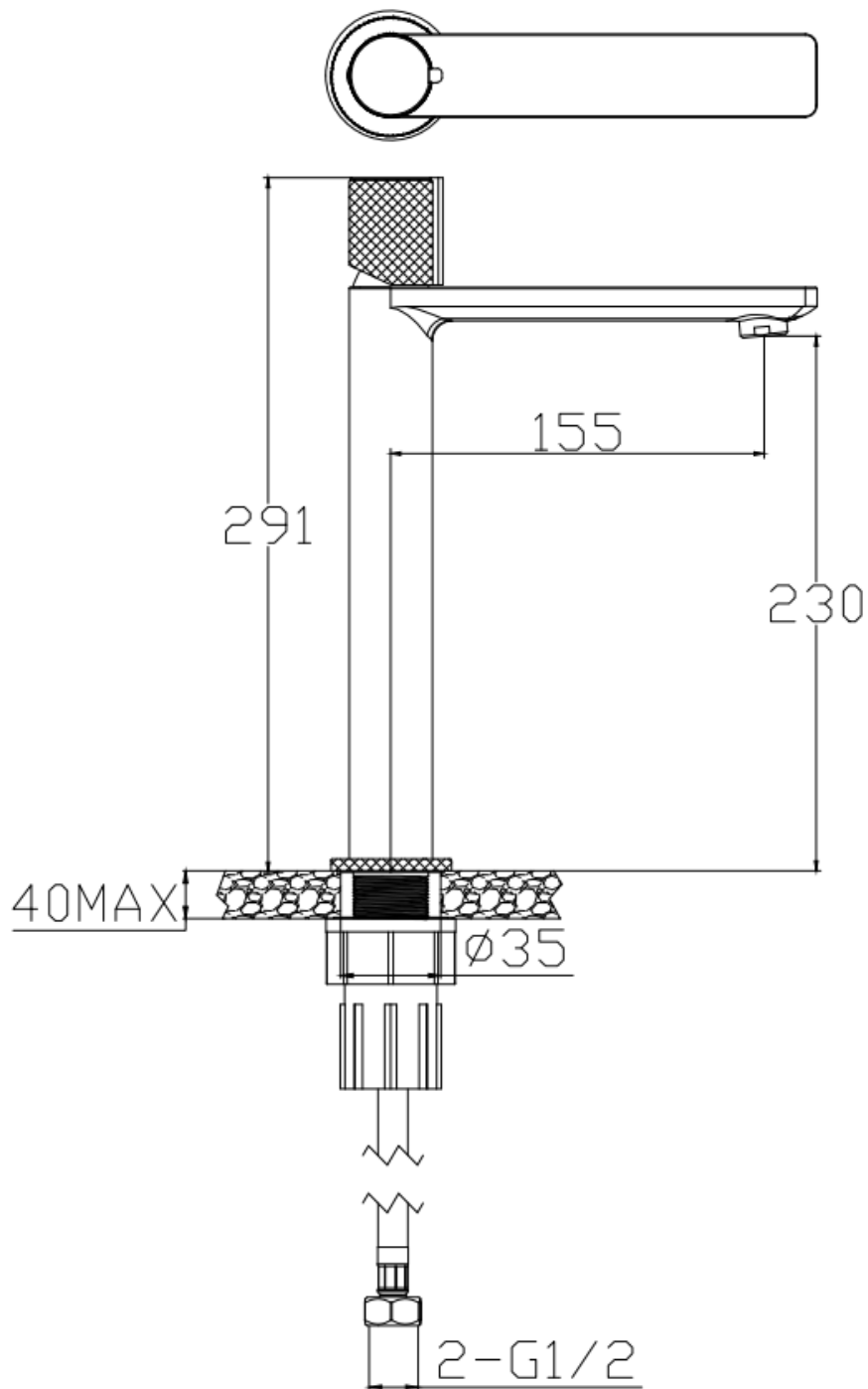
	Product(s)	Durer Tall Mono Basin Mixer and slotted clicker waste
	Article Number(s)	N0TAP03DUR N1TAP03DUR N2TAP03DUR
	Product Description	Durer Tall Mono Basin Mixer Tap with Knurled Handle Details

Technical Data

Suitable water pressure	Min. 0.5 bar, Max. 6.0 Bar
Material	Brass Body, Zinc-alloy handles
Finish Type	Chrome, Black, Brushed Brass
Cartridge	35mm Ceramic Disc Cartridge
Aerator	Spout Aerator
Fitting	UK: M10 x 350mm G1/2" bsp Female Flexi Tails EU: M10 x 350mm G3/8" BSP Female Flexi Tails
Operation	Lift up for water flow, rotate for temperature control.
Features	
Waste included?	Yes
Spout projection	
Standards	Complies with BS6920, BS EN200
Additional information	
How long is the warranty?	10 years against manufacturing faults (excluding serviceable parts)

System Pressure (Bar)	0.1	0.2	0.3	0.5	1.0	1.5	2.0	3.0	4.0	5.0
Decca Tall Mono	1.9	2.7	-	4.1	5.7	-	8.1	9.9	-	12.8

HiB recommend you receive the product before commencing with installation as all sizes and measurements are approximate. HiB try and ensure all measurements are as accurate as possible. In the interest of continuous product development, HiB reserves the right to alter specification as necessary. E & OE.



HiB recommend you receive the product before commencing with installation as all sizes and measurements are approximate.

HiB try and ensure all measurements are as accurate as possible.

In the interest of continuous product development, HiB reserves the right to alter specification as necessary. E & OE.