



600 Semi-countertop basin unit

ROPER RHODES®
BATH

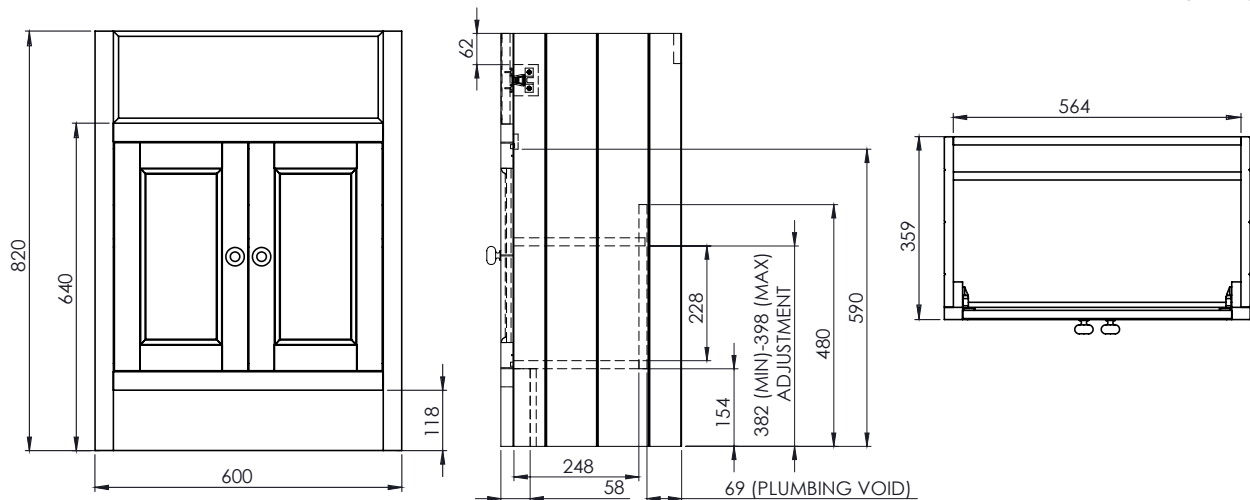


FINISHES	
	
.VN VANILLA	.NO NATURAL OAK
	
.MC MOCHA	.PW PEWTER
	
.W CHALK WHITE	.SG SLATE GREY

NO.	DESCRIPTION	PRODUCT CODE	FIXINGS INCLUDED?	GROSS WEIGHT	NET WEIGHT
1	HAMPTON 600M SEMI COUNTER TOP UNIT	HAM600SCT	YES	23.3kg	23.3kg

DIMENSIONS

DIAGRAMS NOT TO SCALE
ALL DIMENSIONS IN MM
TOLERANCE OF ± 5MM



FAQ

What is the depth of the unit with the door open? 630mm

What is the width of the unit with the door open? 1040mm

What is the gap between the wall and the back of the basin? 45mm

How deep are the shelves? 260mm

Can I use different handles? The unit is supplied with a pilot hole for the standard handle, but others can be drilled by the fitter.

What Semi-countertop basins can be used with this unit? Any Roper Rhodes basins that fit standard depth worktops can be used.

Can I repair small areas of damage? Yes, we can supply small touch up paint pens for small paint repairs.

Door size: 260mm (w) x 450mm (h).

600 Basin Unit

ROPER RHODES®
BATH



Handle Specification: Chalk White
No. of Handles - 2
Screw Dimensions - 2 x (4mm x30mm)

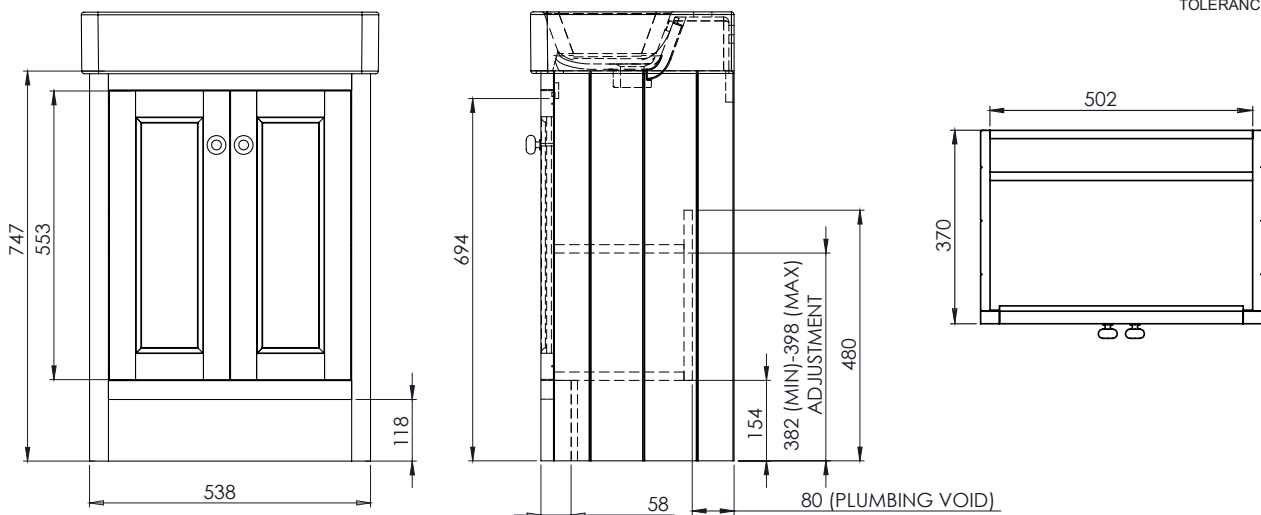
All other finishes:
No. of Handles - 2
Screw Dimensions 2 x (4mm x 29mm)



NO.	DESCRIPTION	PRODUCT CODE	FIXINGS INCLUDED?	GROSS WEIGHT	NET WEIGHT
1	HAMPTON 550mm COUNTERTOP UNIT	HAM550B	YES	20.4kg	20.4kg
2	HAMPTON 560mm COUNTERTOP BASIN 1TH	HAM560C	N/A	15.7kg	15.7kg
3	HAMPTON 560mm COUNTERTOP BASIN 2TH	DC14001	N/A	15.7kg	15.7kg

DIMENSIONS

DIAGRAMS NOT TO SCALE
ALL DIMENSIONS IN MM
TOLERANCE OF ± 5MM



FAQ

What is the depth of the unit with the door open? 590mm

What is the width of the unit with the door open? 895mm

How deep are the shelves? 250mm

Can I repair small areas of damage? Yes, we can supply small touch up paint pens for small paint repairs.

How is the unit secured in place? The unit can be secured to the wall through the upper brace at the rear of the unit. Fixings not supplied.

What is the Internal Water Depth? 65mm

What is the distance between the two tap holes on 2TH version? 200mm

600 Underslung Basin Unit

ROPER RHODES®
BATH



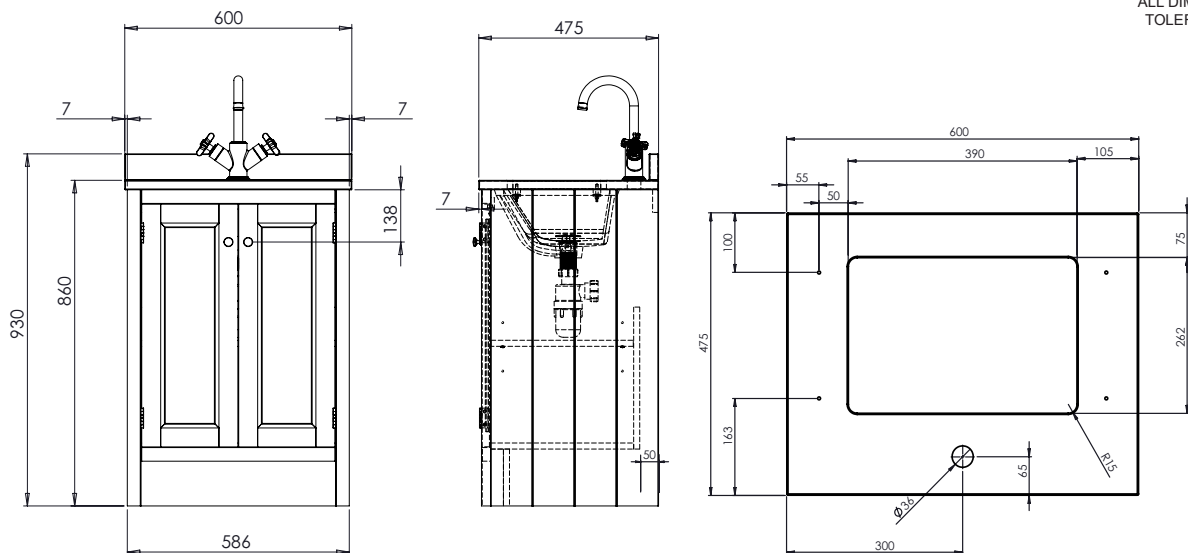
Handle Specification: Chalk White
No. of Handles - 2
Screw Dimensions - 2 x (4mm x30mm)

All other finishes:
No. of Handles - 2
Screw Dimensions 2 x (4mm x 29mm)



NO.	DESCRIPTION	PRODUCT CODE	FIXINGS INCLUDED?	GROSS WEIGHT	NET WEIGHT
1	HAMPTON 600 UNDERSLUNG BASIN UNIT	HAM600US	YES	26.5kg	26.5kg
2	HAMPTON 600 UNDERSLUNG WORKTOP	HAM4W6AUS.AR	N/A	12.6kg	12.6kg
3	HAMPTON 600 UNDERSLUNG BASIN	HAMUSC1	YES	6.5kg	6.5kg

DIMENSIONS



DIAGRAMS NOT TO SCALE
ALL DIMENSIONS IN MM
TOLERANCE OF ± 5MM

FAQ

- What is the depth of the units with the door open? 740mm
- What is the width of the unit with the doors open? 1600mm
- Are the shelves adjustable? There are a number of shelf positioning holes drilled into the unit side panels.
- How deep is the basin water level? The bowl will fill 120mm from the waste to the overflow.
- How tall is the worktop upstand? How thick is the worktop? Upstand: 70mm Worktop Thickness: 25mm
- Is the underslung basin glazed on the underside? No.
- Can I use other basins with the worktop? No, the worktop is pre-cut to suit the Hampton Underslung Basin in size.
- Is the basin pre-fixed to the worktop? No, they are supplied separately. Fixing brackets are supplied with the worktops to hold the basin in place.
- Can I repair small areas of damage? Yes, we can supply small touch up paint pens for small paint repairs.
- How is the unit secured in place? The unit can be secured to the wall through the upper brace at the rear of the unit. Fixings not supplied.

1200 Underslung Basin Units

ROPER RHODES®
BATH

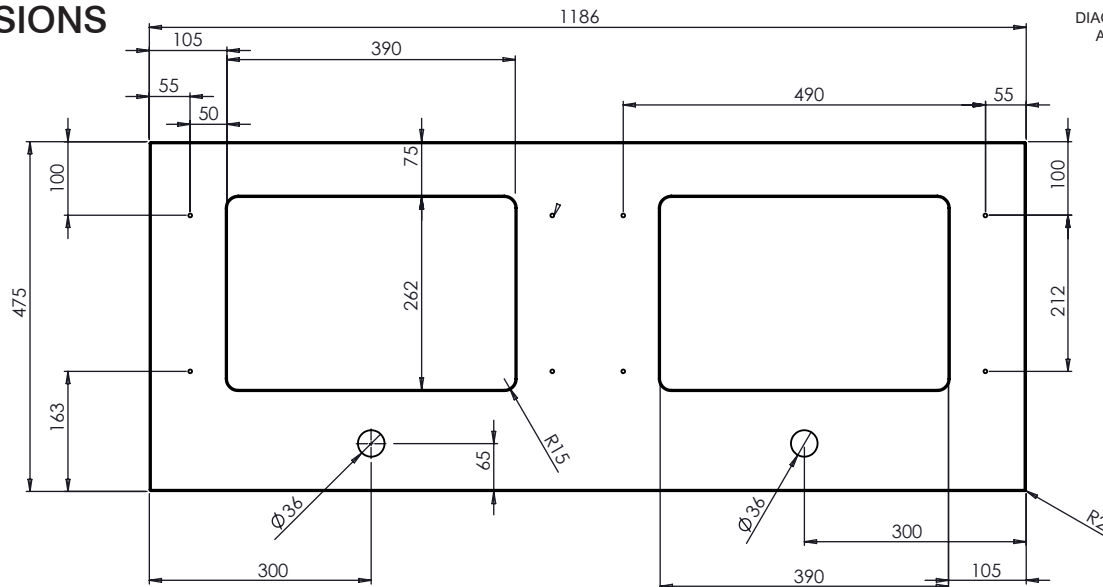


Note:
Two 600mm Underslung Basin Units can be joined together to create a 1200mm wide double unit. In this configuration, a 1200mm worktop can be used with two underslung basins.



NO.	DESCRIPTION	PRODUCT CODE	FIXINGS INCLUDED?	GROSS WEIGHT	NET WEIGHT
1	HAMPTON 600 UNDERSLUNG BASIN UNIT	2x HAM600US	YES	26.5kg	26.5kg
2	HAMPTON 1200 UNDERSLUNG WORKTOP	HAM4W12AUS.AR	N/A	23kg	23kg
3	HAMPTON 600 UNDERSLUNG BASIN	2x HAMUSC1	YES	6.5kg	6.5kg

DIMENSIONS



DIAGRAMS NOT TO SCALE
ALL DIMENSIONS IN MM
TOLERANCE OF ± 5MM

FAQ

Note:

Two 600mm Underslung Basin Units can be joined together to create a 1200mm wide double unit. In this configuration, a 1200mm worktop can be used with two underslung basins.

What is the overall depth of the units with the door open? 740mm
What is the overall width of the units with the doors open? 1600mm

Note: See previous sheet for questions about the individual units.

700 Basin Unit

ROPER RHODES®
BATH

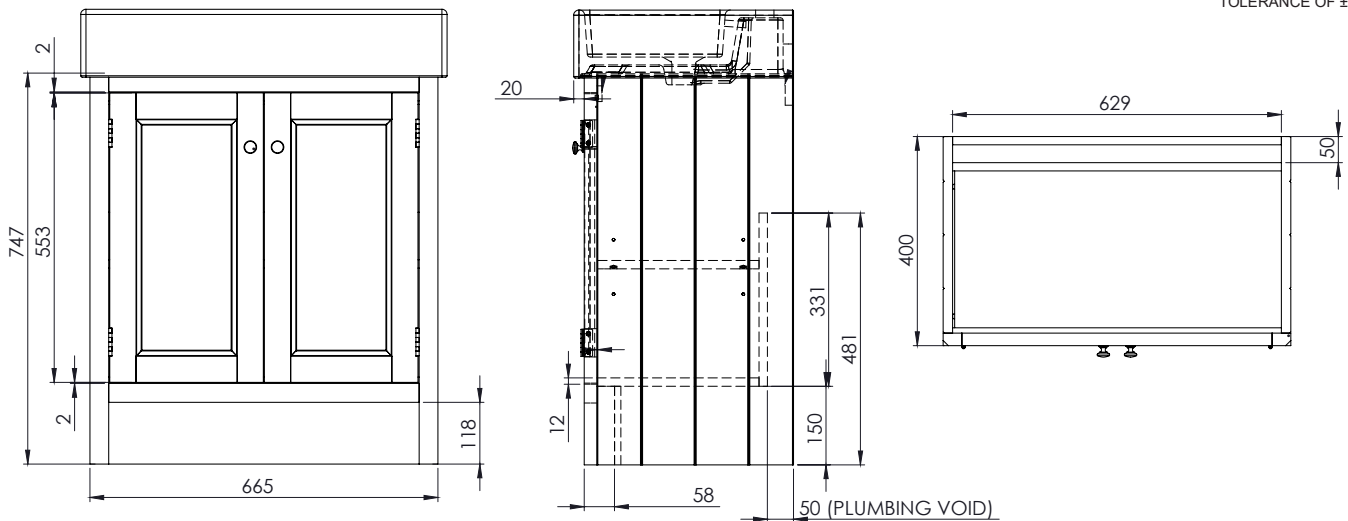


FINISHES	
	
.VN VANILLA	.NO NATURAL OAK
	
.MC MOCHA	.PW PEWTER
	
.W CHALK WHITE	.SG SLATE GREY

NO.	DESCRIPTION	PRODUCT CODE	FIXINGS INCLUDED?	GROSS WEIGHT	NET WEIGHT
1	HAMPTON 700 BASIN UNIT	HAM700B	YES	23kg	23kg
2	HAMPTON 710 COUNTERTOP BASIN	HAM700C	N/A	17.7kg	17.7kg

DIMENSIONS

DIAGRAMS NOT TO SCALE
ALL DIMENSIONS IN MM
TOLERANCE OF ± 5MM



FAQ

Can I repair small areas of damage? Yes, we can supply small touch up paint pens for small paint repairs.
How is the unit secured in place? The unit can be secured to the wall through the upper brace at the rear of the unit. Fixings not supplied.

700 Wall Mounted Basin Unit

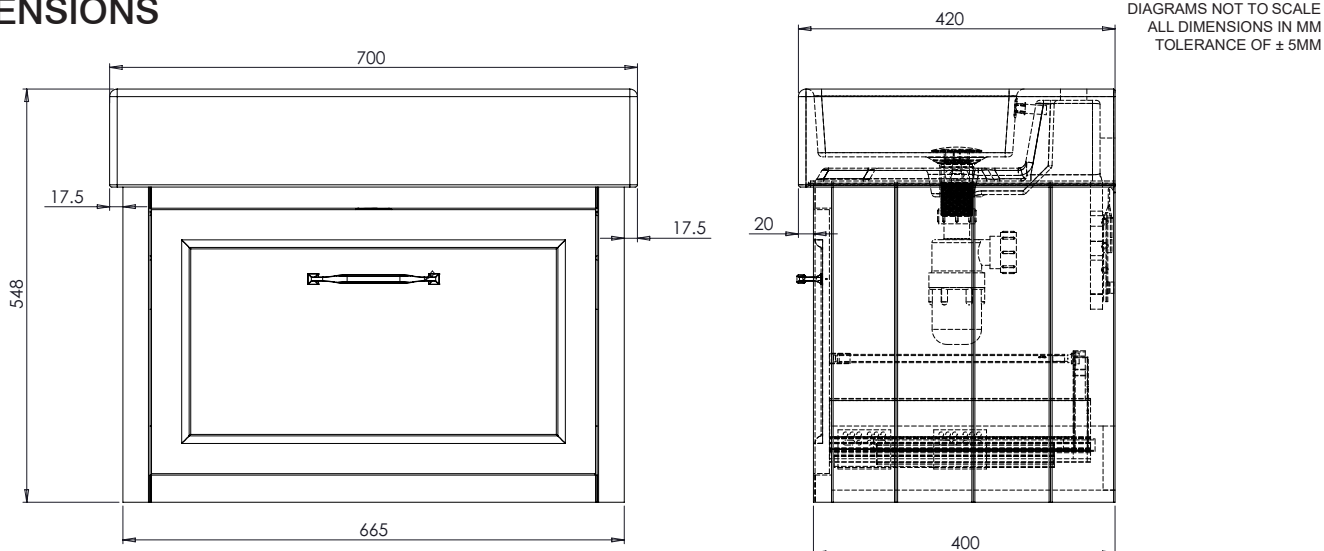
ROPER RHODES®
BATH



FINISHES	
	
.VN VANILLA	.NO NATURAL OAK
	
.MC MOCHA	.PW PEWTER
	
.W CHALK WHITE	.SG SLATE GREY

NO.	DESCRIPTION	PRODUCT CODE	FIXINGS INCLUDED?	GROSS WEIGHT	NET WEIGHT
1	HAMPTON WALL MOUNTED BASIN UNIT	HAM700WM	YES	22kg	22kg
2	HAMPTON 710 COUNTERTOP BASIN	HAM700C	N/A	17.7kg	17.7kg

DIMENSIONS



FAQ

What is the depth of the units with the drawer open? 680mm

What is the depth of the drawer open? 120mm

What colour is the inside of the drawer? The inside of the drawer box is colour matched to the unit.

Can the drawer box be removed? Yes, instructions on how to do so are included with the unit.

Can I repair small areas of damage? Yes, we can supply small touch up paint pens for small paint repairs.

How is the unit secured in place? The unit is secured to the wall with adjustable wall brackets.

400 Cloakroom Basin Unit

ROPER RHODES®
BATH



Handle Specification: Chalk White
No. of Handles - 1
Screw Dimensions - 1 x (4mm x30mm)

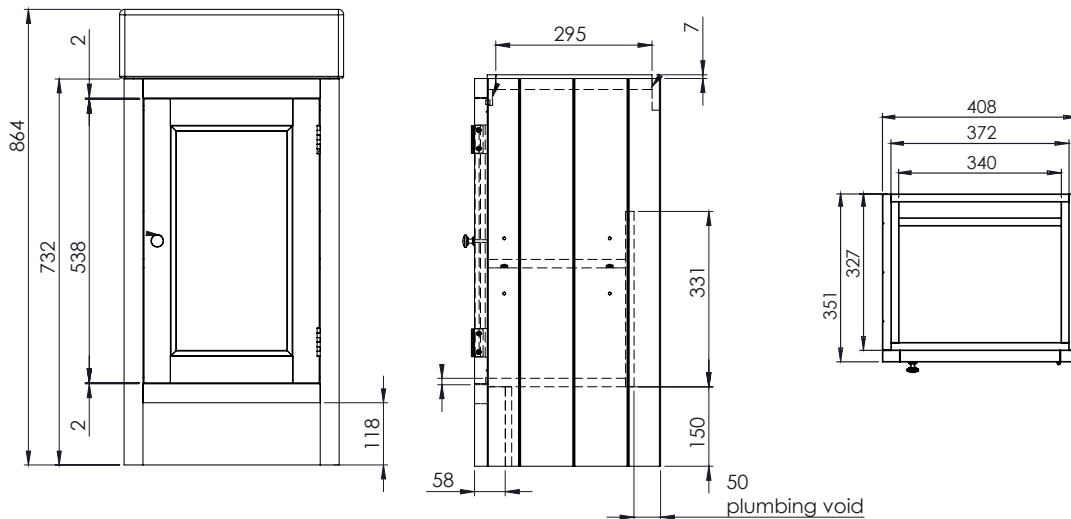
All other finishes:
No. of Handles - 1
Screw Dimensions 1 x (4mm x 29mm)

FINISHES	
	
.VN VANILLA	.NO NATURAL OAK
	
.MC MOCHA	.PW PEWTER
	
.W CHALK WHITE	.SG SLATE GREY

NO.	DESCRIPTION	PRODUCT CODE	FIXINGS INCLUDED?	GROSS WEIGHT	NET WEIGHT
1	HAMPTON 450 CLOAKROOM UNIT	HAM450B	YES	16.3kg	16.3kg
2	HAMPTON CLOAKROOM BASIN	HAM450C	N/A	12.1kg	12.1kg

DIMENSIONS

DIAGRAMS NOT TO SCALE
ALL DIMENSIONS IN MM
TOLERANCE OF ± 5MM



FAQ

- What is the depth of the unit with the door open? 690mm
- What is the width of the unit with the door open? 700mm
- Can the door be hung from either side? Yes, pilot holes are made in the frame so that the hinge can be positioned on either side.
- Can I use different handles? The unit is supplied with a pilot hole for the standard handle, but others can be drilled by the fitter.
- Can I repair small areas of damage? Yes, we can supply small touch up paint pens for small paint repairs.
- Can I repair small areas of damage? Yes, we can supply small touch up paint pens for small paint repairs.

600 Back to Wall WC Unit

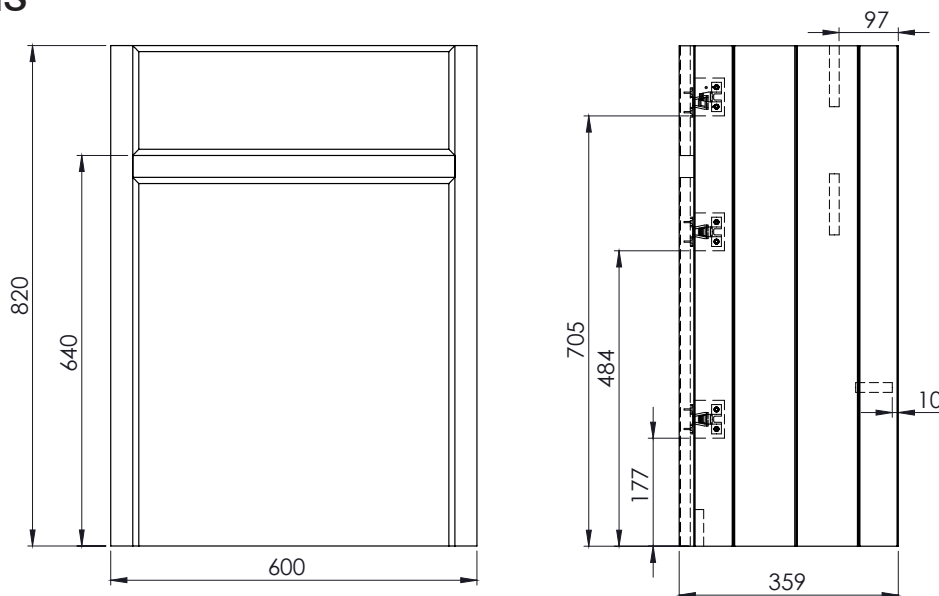
ROPER RHODES®
BATH



FINISHES	
	
.VN VANILLA	.NO NATURAL OAK
	
.MC MOCHA	.PW PEWTER
	
.W CHALK WHITE	.SG SLATE GREY

NO.	DESCRIPTION	PRODUCT CODE	FIXINGS INCLUDED?	GROSS WEIGHT	NET WEIGHT
1	HAMPTON 600 BACK TO WALL	HAM600BTW	YES	20kg	20kg

DIMENSIONS



DIAGRAMS NOT TO SCALE
ALL DIMENSIONS IN MM
TOLERANCE OF ± 5MM

FAQ

Does the unit come supplied with a worktop? No, one should be chosen from our selection of worktops. A wider selection is available from our fitted furniture standard depth worktop options.

Can a wall hung pan frame be used inside this unit? Yes, the standard Roper Rhodes Wall Hung Frame can be used inside this unit if needed.

Can a comfort height pan be used with this unit? Yes - providing a comfort height cistern is used.

Which cistern should I use with this unit? All Roper Rhodes cisterns are compatible with this unit, but they should be checked for suitability with the desired pan.

Do the fascias come pre-cut? No, suitable holes for the pan and cistern buttons should be cut by the fitters. Any cuts or holes should be re-sealed to prevent any moisture ingress.

400 Floor Cupboard Unit

ROPER RHODES®
BATH



Handle Specification: Chalk White

No. of Handles - 2
Screw Dimensions - 1 x (4mm x 30mm)
1 x (4mm x 35mm)

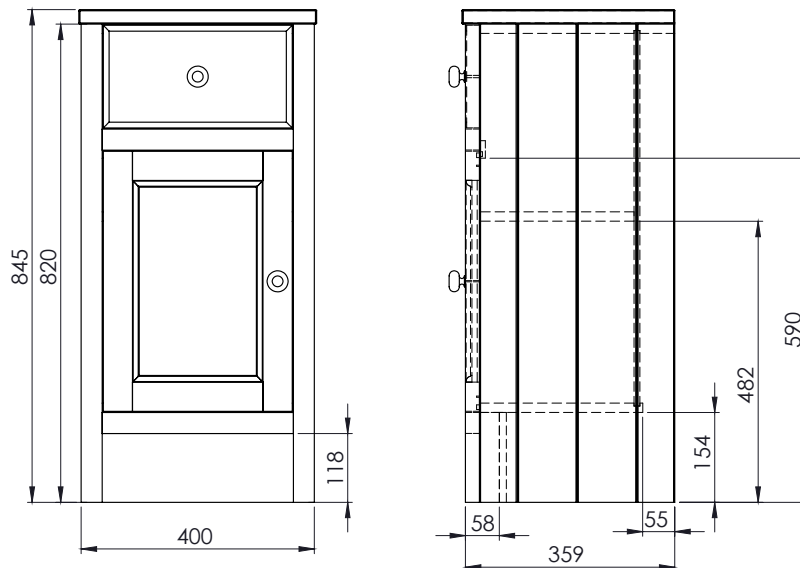
All other finishes:

No. of Handles - 2
Screw Dimensions 1 x (4mm x 29mm)
1 x (4mm x 45mm)

FINISHES	
	
.VN VANILLA	.NO NATURAL OAK
	
.MC MOCHA	.PW PEWTER
	
.W CHALK WHITE	.SG SLATE GREY

NO.	DESCRIPTION	PRODUCT CODE	FIXINGS INCLUDED?	GROSS WEIGHT	NET WEIGHT
1	HAMPTON 400 FLOOR CUPBOARD UNIT	HAM400FC	YES	25.4kg	25.4kg

DIMENSIONS



DIAGRAMS NOT TO SCALE
ALL DIMENSIONS IN MM
TOLERANCE OF ± 5MM

FAQ

What is the depth of the unit with the door open? 685mm

What is the depth of the unit with the drawer fully extended? 640mm

What is the width of the unit with the door fully open? 680mm

How deep are the shelves? 270mm

Can the door be hung from either side? Yes, pilot holes are made in the frame so that the hinge can be positioned on either side.

Does the unit come with a worktop? Yes, the cupboard comes with a colour matched worktop, but can be removed if the unit forms part of a run.

Can I repair small areas of damage? Yes, we can supply small touch up paint pens for small paint repairs.

Cloakroom Mirror

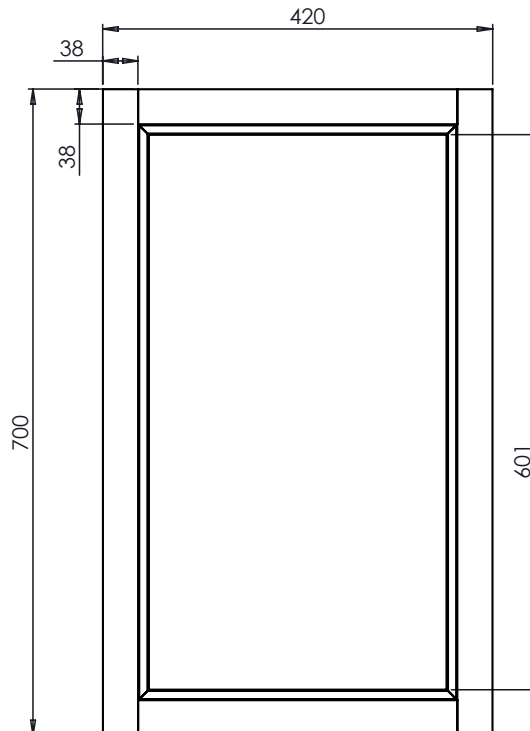
ROPER RHODES®
BATH



FINISHES	
	
.VN VANILLA	.NO NATURAL OAK
	
.MC MOCHA	.PW PEWTER
	
.W CHALK WHITE	.SG SLATE GREY

NO.	DESCRIPTION	PRODUCT CODE	FIXINGS INCLUDED?	GROSS WEIGHT	NET WEIGHT
1	HAMPTON 570 MIRROR	HAM420M	YES	4.2kg	4.2kg

DIMENSIONS



DIAGRAMS NOT TO SCALE
ALL DIMENSIONS IN MM
TOLERANCE OF ± 5MM

FAQ

Can the mirror be hung portrait and landscape?
The mirror frame has fixing holes for both installations.
Can I repair small areas of damage?
Yes, we can supply small touch up paint pens for small paint repairs.

Depth	25mm
Fixing centres landscape	390mm
Fixing centres portrait	670mm
Fix point land to top	145mm
Fix point portrait to top	225mm

570 Mirror

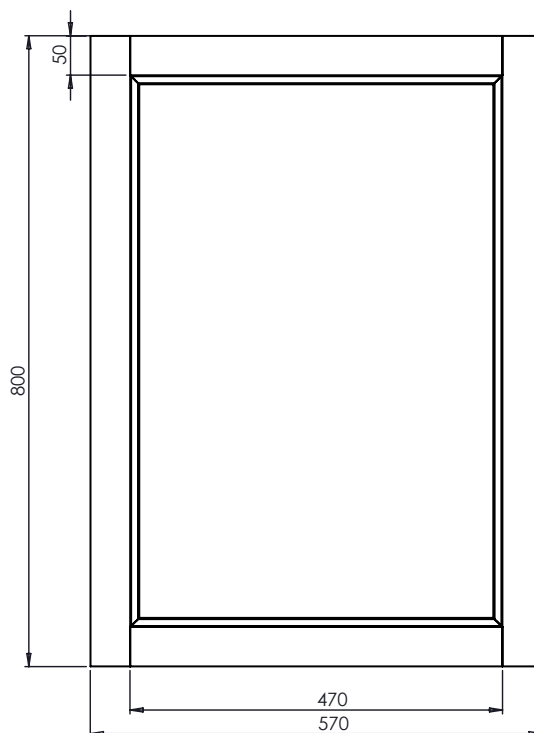
ROPER RHODES®
BATH



FINISHES	
	
.VN VANILLA	.NO NATURAL OAK
	
.MC MOCHA	.PW PEWTER
	
.W CHALK WHITE	.SG SLATE GREY

NO.	DESCRIPTION	PRODUCT CODE	FIXINGS INCLUDED?	GROSS WEIGHT	NET WEIGHT
1	HAMPTON 570 MIRROR	HAM600M	YES	6.1kg	6.1kg

DIMENSIONS



DIAGRAMS NOT TO SCALE
ALL DIMENSIONS IN MM
TOLERANCE OF ± 5MM

FAQ

Can this mirror be hung in both portrait and landscape orientations? Yes there are fixing holes for both options.
How is this mirror hung on the wall? The mirror has keyhole slots cut into the wooden frame. The portrait holes are approx. 235mm from the top edge of the frame. The landscape holes are approx. 165mm from the left hand edge of the frame.

1200 Mirror

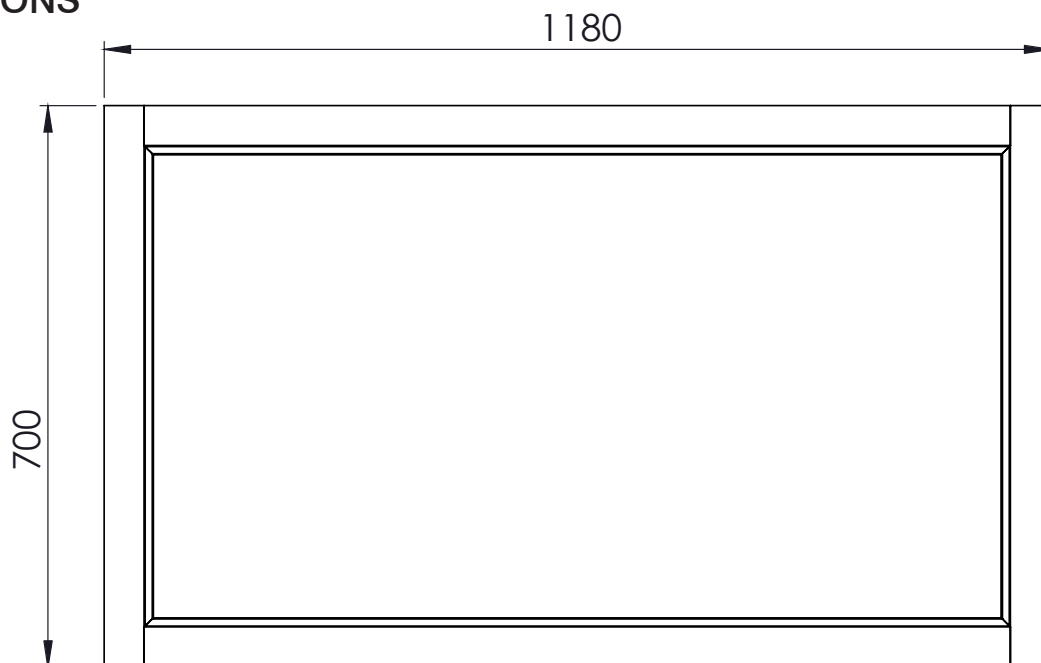
ROPER RHODES®
BATH



FINISHES	
	
.VN VANILLA	.NO NATURAL OAK
	
.MC MOCHA	.PW PEWTER
	
.W CHALK WHITE	.SG SLATE GREY

NO.	DESCRIPTION	PRODUCT CODE	FIXINGS INCLUDED?	GROSS WEIGHT	NET WEIGHT
1	HAMPTON 1200 MIRROR	HAM1200M	YES	10.95kg	10.95kg

DIMENSIONS



DIAGRAMS NOT TO SCALE
ALL DIMENSIONS IN MM
TOLERANCE OF ± 5MM

FAQ

600 Illuminated Mirror

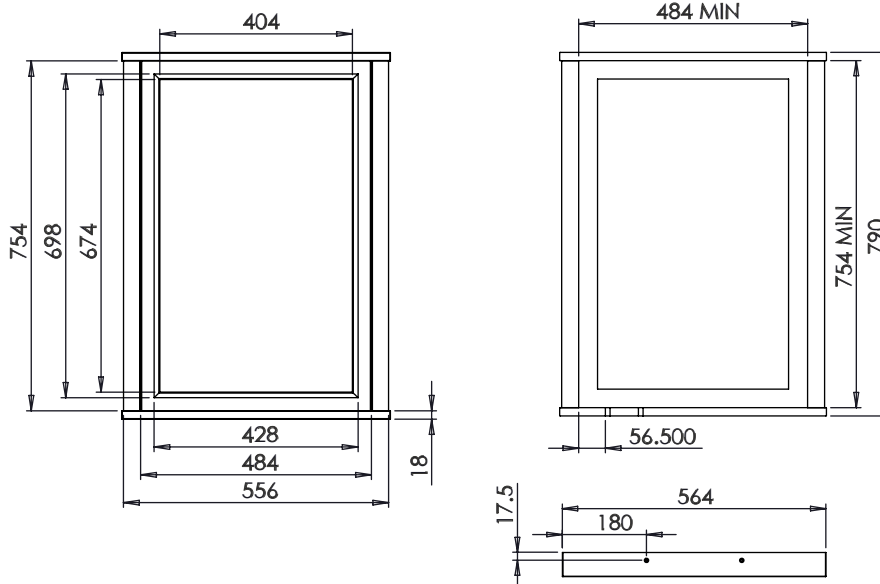
ROPER RHODES®
BATH



FINISHES	
	
.VN VANILLA	.NO NATURAL OAK
	
.MC MOCHA	.PW PEWTER
	
.W CHALK WHITE	.SG SLATE GREY

NO.	DESCRIPTION	PRODUCT CODE	FIXINGS INCLUDED?	GROSS WEIGHT	NET WEIGHT
1	HAMPTON ILLUMINATED MIRROR	HAMILL6COM	YES	13kg	13kg

DIMENSIONS



DIAGRAMS NOT TO SCALE
ALL DIMENSIONS IN MM
TOLERANCE OF ± 5MM

FAQ

- What is the total power consumption of the mirror? 35.5 watts
- What is the colour temperature of the LED lighting? 6000 kelvin
- What is the total amount of lumens produced by the LED lighting? 600 lumens
- Where is the mains cable located? The mains cable is located in the centre of the back of the mirror.
- Can the mirror be hung separate of the mirror frame? No, the keyhole slots are only present on the frame.

565 Mirrored Cabinet

ROPER RHODES®
BATH



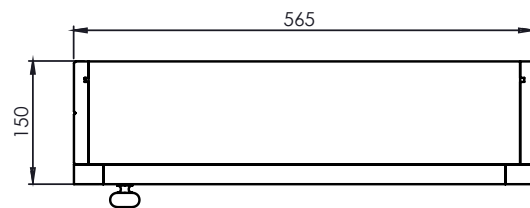
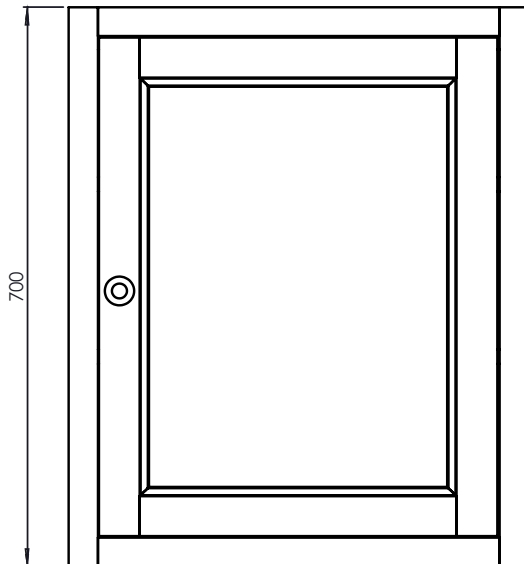
Handle Specification: Chalk White
No. of Handles - 1
Screw Dimensions - 1 x (4mm x 30mm)

All other finishes:
No. of Handles - 1
Screw Dimensions 1 x (4mm x 29mm)



NO.	DESCRIPTION	PRODUCT CODE	FIXINGS INCLUDED?	GROSS WEIGHT	NET WEIGHT
1	HAMPTON 565 CABINET	HAMCAB	YES	20kg	20kg

DIMENSIONS



DIAGRAMS NOT TO SCALE
ALL DIMENSIONS IN MM
TOLERANCE OF ± 5MM

FAQ

Is the door reversible? No, the door can only be hinged on the right hand side.

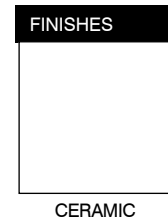
Are the shelves adjustable? Yes, there are three shelf positions.

Can I use different handles? The unit is supplied with a pilot hole for the standard handle, but others can be drilled by the fitter.

Can I repair small areas of damage? Yes, we can supply small touch up paint pens for small paint repairs.

450mm Cloakroom Ceramic Basin

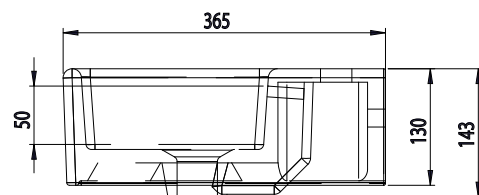
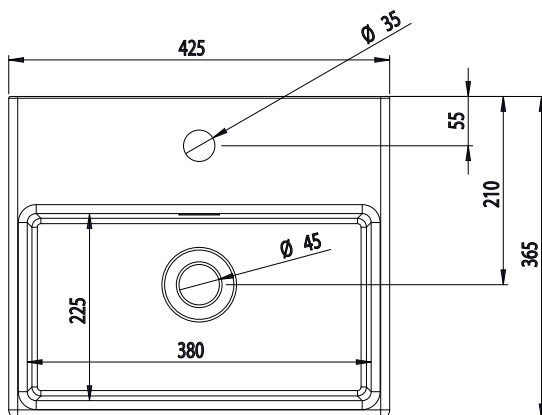
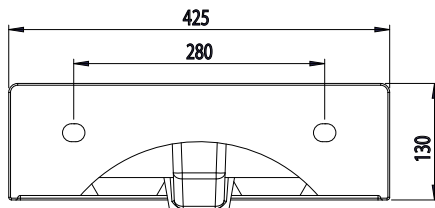
ROPER RHODES®
BATH



DESCRIPTION	PRODUCT CODE	FIXINGS INCLUDED?	GROSS WEIGHT	NET WEIGHT
HAMPTON 450mm CERAMIC BASIN	HAM450C (1TH)	YES	12.1kg	12.1kg

DIMENSIONS

DIAGRAMS NOT TO SCALE
ALL DIMENSIONS IN MM
TOLERANCE OF ± 5MM

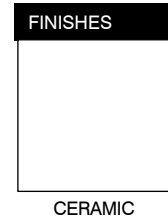


FAQ

- Can the basin be wall hung? Yes, the fixing holes on back of basin are 280mm centres.
- What is the depth of the basin before reaching overflow? 50mm
- Does it have an intergrated overflow? Yes
- What is the width of the tap deck? The tap deck ledge is 120mm

600mm Ceramic Underslung Basin

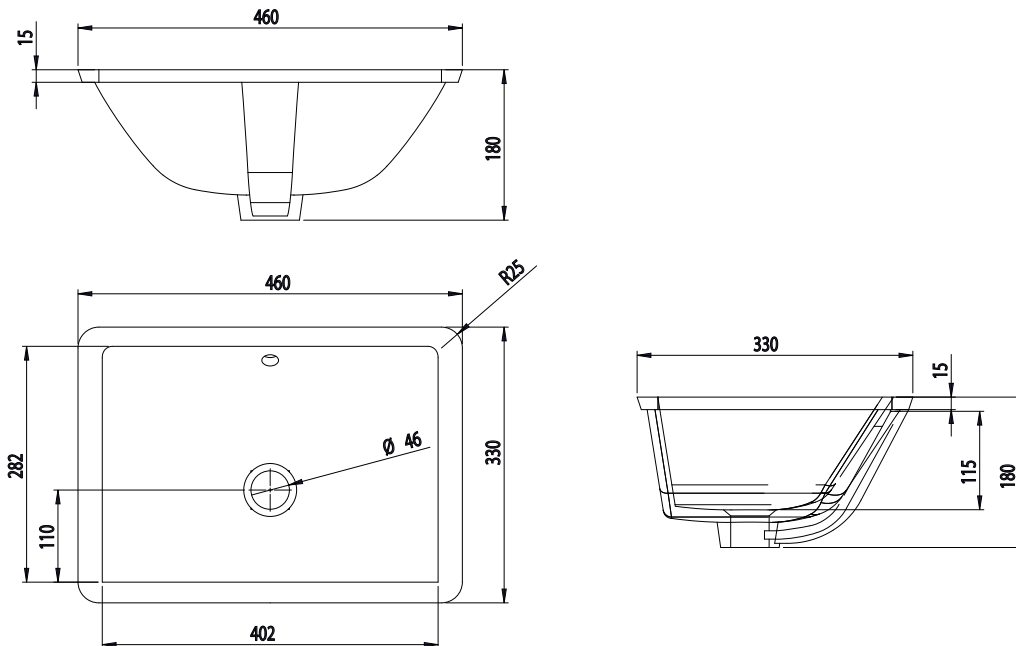
ROPER RHODES[®]
BATH



DESCRIPTION	PRODUCT CODE	FIXINGS INCLUDED?	GROSS WEIGHT	NET WEIGHT
HAMPTON 600mm CERAMIC BASIN	HAMUSC1	YES	6.5kg	6.5kg

DIMENSIONS

DIAGRAMS NOT TO SCALE
ALL DIMENSIONS IN MM
TOLERANCE OF ± 5 MM

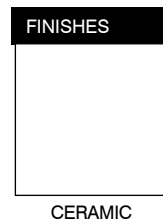


FAQ

Does the basin come with fixings? Yes, but does not include worktop.
What is the depth of the basin before reaching overflow? 115mm
Does it have an intergrated overflow? Yes

560mm Ceramic Basin

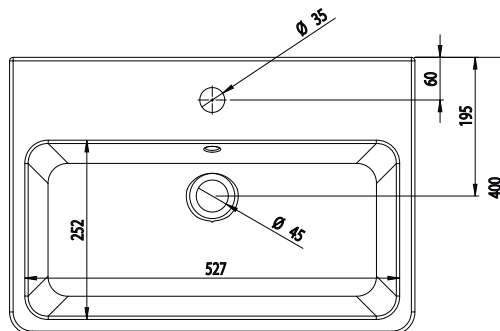
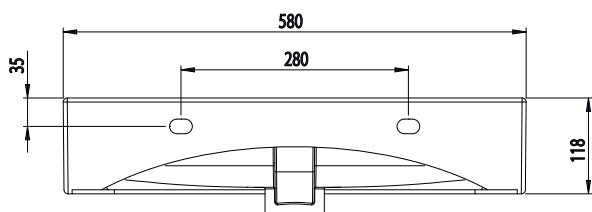
ROPER RHODES®
BATH



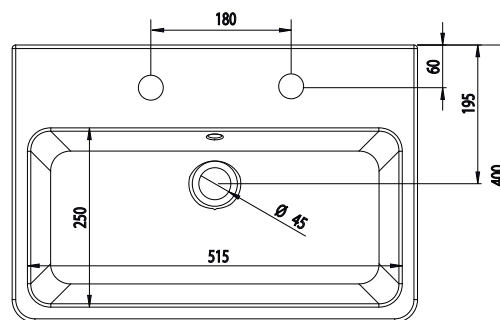
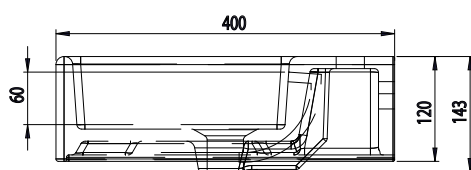
DESCRIPTION	PRODUCT CODE	FIXINGS INCLUDED?	GROSS WEIGHT	NET WEIGHT
HAMPTON 560mm CERAMIC BASIN	HAM560C (1TH) DC14001 (2TH)	YES	15.7kg	15.7kg

DIMENSIONS

DIAGRAMS NOT TO SCALE
ALL DIMENSIONS IN MM
TOLERANCE OF ± 5MM



HAM560C - 1 Tap Hole



DC14001 - 2 Tap Hole

FAQ

Can the basin be wall hung? Yes, the fixing holes on back of basin are 280mm centres.

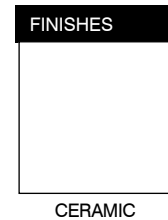
What is the depth of the basin before reaching overflow? 65mm

Does it have an intergrated overflow? Yes

What is the width of the tap deck? The tap deck ledge is 120mm

700mm Ceramic Basin

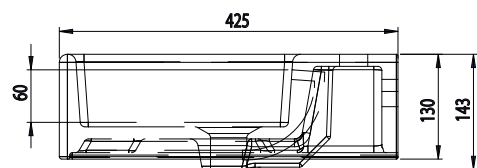
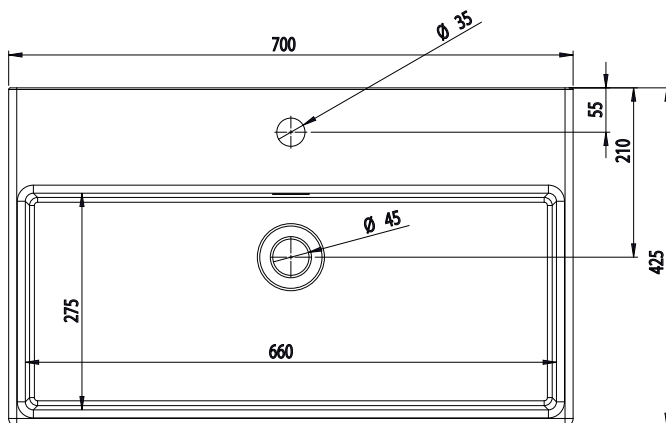
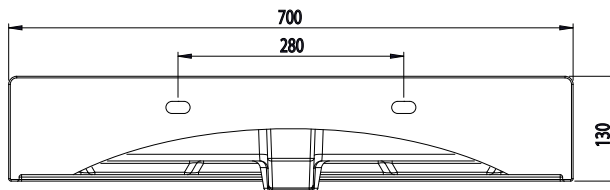
ROPER RHODES®
BATH



DESCRIPTION	PRODUCT CODE	FIXINGS INCLUDED?	GROSS WEIGHT	NET WEIGHT
HAMPTON 700mm CERAMIC BASIN	HAM700C (1TH)	YES	17.7kg	17.7kg

DIMENSIONS

DIAGRAMS NOT TO SCALE
ALL DIMENSIONS IN MM
TOLERANCE OF ± 5MM



FAQ

- Can the basin be wall hung? Yes, the fixing holes on back of basin are 280mm centres.
- What is the depth of the basin before reaching overflow? 65mm
- Does it have an intergrated overflow? Yes
- What is the width of the tap deck? The tap deck ledge is 125mm